



TCL122

3-WHEEL DUAL-DRIVE SUPERCOMPACT COUNTERBALANCE FORKLIFT 1.2T

1200 kg 4500 mm 80 V Li-Ion



TCL is a compact 80V lithium-ion 3 wheels forklift designed for applications in tight indoor spaces, offering small turning radius and a low overall height that enables work in narrow aisles, low-clearance areas, mezzanines, and cargo lifts. Its dual-drive PMS Motor ensures smooth, agile handling, while automatic stop on ramp and speed reduction on turns support safe operation. TCL is the ideal forklift for light to medium-duty applications where maneuverability are the main priorities.

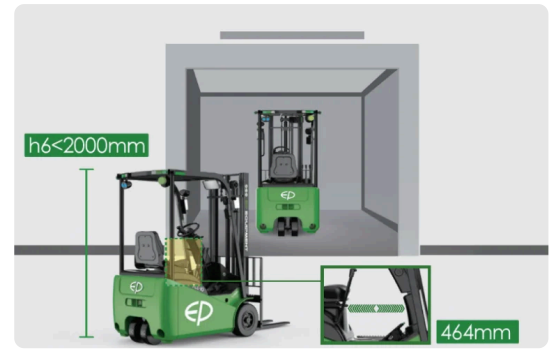
| SPECIFICATION | REF | UNIT | VALUE |
|-----------------------------|-----------|------|------------|
| Battery type | | | Li-Ion |
| Battery nominal capacity K5 | | Ah | 50 |
| Battery voltage | | V | 80 |
| Rated capacity | Q | kg | 1200 |
| Load centre distance | c | mm | 500 |
| Service weight | | kg | 2469 |
| Height, mast lowered | h_1 | mm | 2012 |
| Lift | h_3 | mm | 3000 |
| Height, mast extended | h_4 | mm | 4065 |
| Overall length | | mm | 2732 |
| Overall width | b_1/b_2 | mm | 1020 |
| Length to face of forks | l2 | mm | 1812 |
| Fork dimensions | s/e/l | mm | 40X100X920 |
| Turning radius | | Wa | 1519 |
| Manufacturer | | | EP |
| Model designation | | | TCL122 |

Features

Compact size with high operator comfort

With its low service weight, compact size, and overhead guard height ($h_6 < 2000\text{mm}$), TCL is ideal for mezzanines and cargo lifts usage and in narrow spaces like intensive warehousing and HGVs.

Despite its compactness, the TCL prioritizes operator comfort with an ergonomic design, providing an ample legroom of 464mm and a good visibility for a comfortable operating experience.

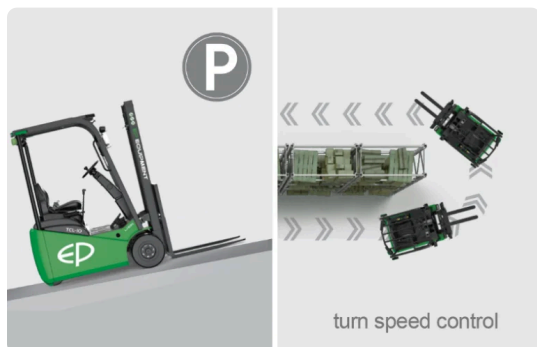


Dual drive motors

The unique dual drive motor system, unmatched in this capacity segment, gives the TCL outstanding traction and ultra-responsive steering. Together with its agile 3-wheel design, it turns on the spot and delivers an exceptionally tight turning radius — perfect for navigating busy, space-restricted environments. With a top speed of 13 km/h and powerful acceleration, the TCL ensures fast pallet handling and boosts everyday work efficiency.

80V Li-ion & PMSM technology

Equipped with 80V Li-ion battery and integrated single phase fast charger as standard, the TCL supports opportunity charging with no maintenance. Additionally, the TCL employs advanced permanent magnet synchronous motor (PMSM) technology and can achieve 10-15% energy savings and extend runtime by 10% compared to conventional motors.



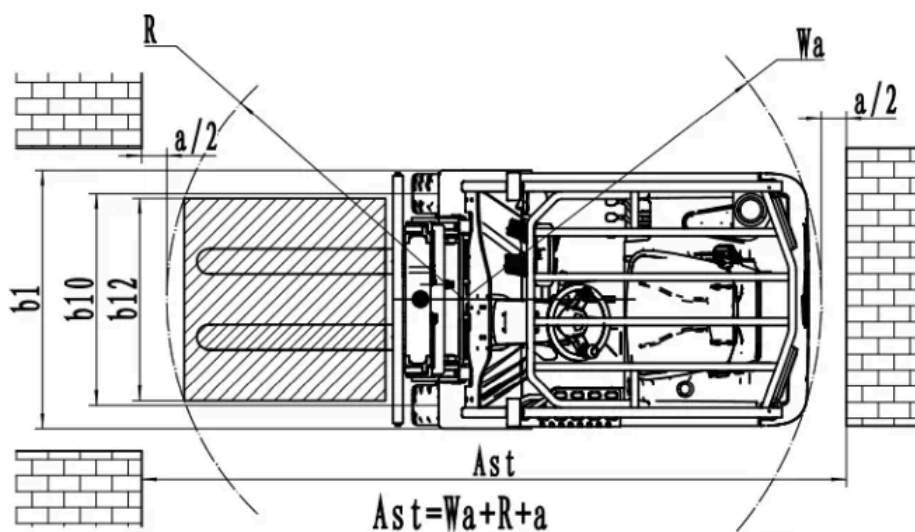
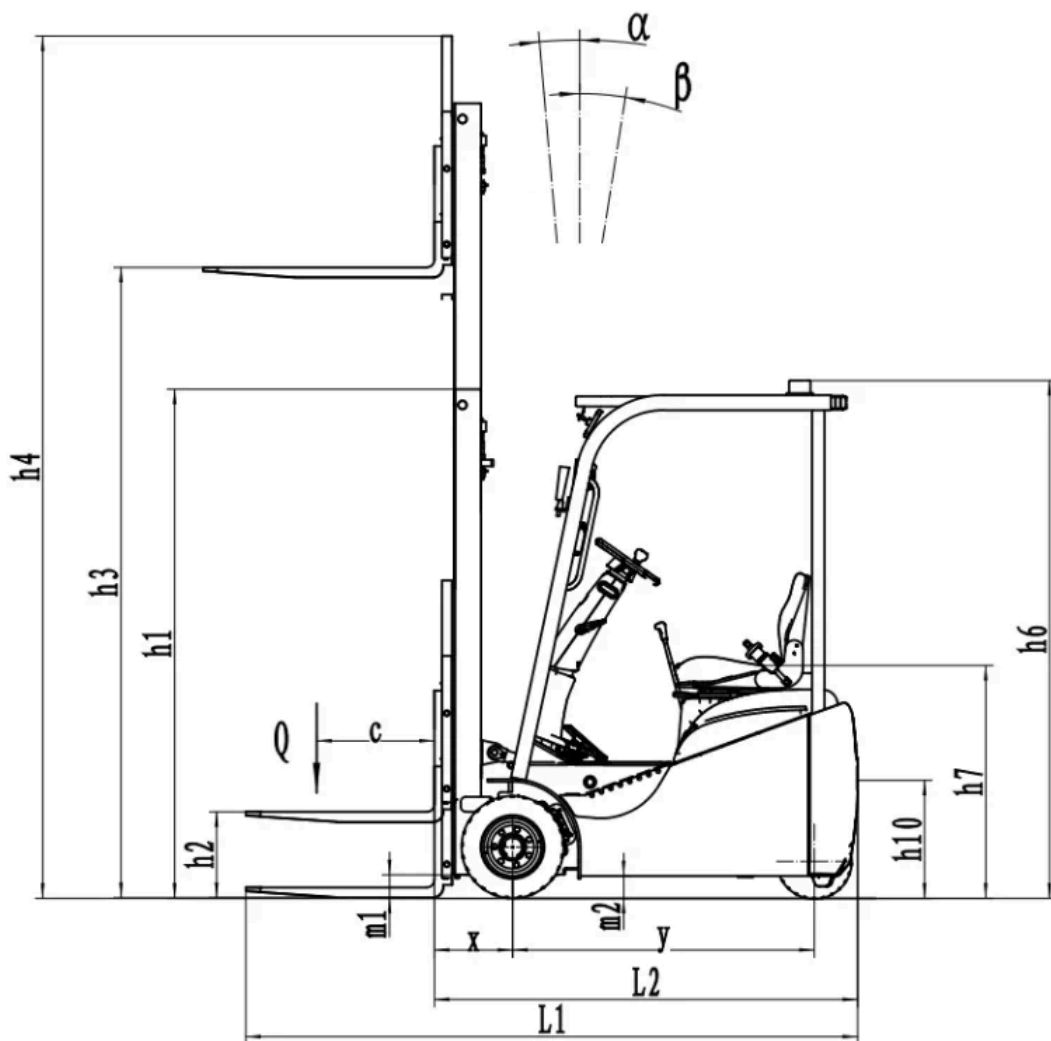
Top class features

The TCL features automatic stop on ramp and electric parking brake which can protect the forklift from accidentally rolling back when parked on a slope. It's also equipped with turn speed control as standard for maximum productivity safety and stability even in the tightest of corners.

VDI Chart

| | SPECIFICATION | REF | UNIT | VALUE |
|-------|---|--------------------------------|------|-------------|
| 1.1 | Manufacturer | | | EP |
| 1.2 | Model designation | | | TCL122 |
| 1.3 | Drive | | | Electric |
| 1.4 | Operator type | | | Seated |
| 1.5 | Rated capacity | Q | kg | 1200 |
| 1.6 | Load centre distance | c | mm | 500 |
| 1.8 | Load distance, centre of drive axle to fork | | mm | 365 |
| 1.9 | Wheelbase | | mm | 1300 |
| 2.1 | Service weight | | kg | 2469 |
| 2.2 | Axle loading, laden front/rear | | kg | 3288/381 |
| 2.3 | Axle loading, unladen front/rear | | kg | 1288/1181 |
| 3.1 | Tyres | | | Solidrubber |
| 3.2 | Tyre size, front | | mm | 18x7-8 |
| 3.3 | Tyre size, rear | | mm | 15x4.5-8 |
| 3.5 | Wheels, number front/rear (x=drive wheels) | | | 2x/2 |
| 3.6 | Tread width, front | b ₁₀ | mm | 850 |
| 3.7 | Tread width, rear | b ₁₁ | mm | 210 |
| 4.1 | Tilt of mast/fork carriage forward/backward | | ° | 6/6 |
| 4.2 | Height, mast lowered | h ₁ | mm | 2012 |
| 4.2.1 | Overall height | | | 4065 |
| 4.3 | Free lift | | mm | 120 |
| 4.4 | Lift | h ₃ | mm | 3000 |
| 4.5 | Height, mast extended | h ₄ | mm | 4065 |
| 4.7 | Height of overhead guard (cabin) | | mm | 1988 |
| 4.8 | Seat height relating to SIP/stand height | | mm | 948 |
| 4.12 | Coupling height | | mm | 513 |
| 4.19 | Overall length | | mm | 2732 |
| 4.20 | Length to face of forks | l ₂ | mm | 1812 |
| 4.21 | Overall width | b ₁ /b ₂ | mm | 1020 |
| 4.22 | Fork dimensions | s/e/l | mm | 40X100X920 |
| 4.23 | Fork carriage ISO 2328, class/type A, B | | | 2A |
| 4.24 | Fork carriage width | | mm | 960 |

| | SPECIFICATION | REF | UNIT | VALUE |
|--------|--|-----|-------|----------------------------------|
| 4.31 | Ground clearance, laden, below mast | | mm | 93 |
| 4.32 | Ground clearance, centre of wheelbase | | mm | 115 |
| 4.34.1 | Aisle width for pallets 1000×1200 crossways | | Ast | 3207 |
| 4.34.2 | Aisle width for pallets 800 × 1200 crossways | | Ast | 3336 |
| 4.35 | Turning radius | | Wa | 1519 |
| 5.1 | Travel speed, laden/unladen | | km/h | 11/13 |
| 5.2 | Lift speed, laden/unladen | | m/s | 0.28/0.35 |
| 5.3 | Lowering speed, laden/unladen | | m/s | 0.35/0.35 |
| 5.5 | Drawbar pull, laden/unladen | | | 3288/381 |
| 5.6 | Max. drawbar pull, laden/unladen | | | Max. drawbar pull, laden/unladen |
| 5.8 | Max. gradeability, laden/unladen | | % | 13/15 |
| 5.10 | Service brake | | | Electromagnetic |
| 5.11 | Parking brake | | | Electromagnetic |
| 6.1 | Drive motor rating S2 60 min | | kW | 2.0X2 |
| 6.2 | Lift motor rating at S3 15% | | kW | 7 |
| 6.4 | Battery nominal capacity K5 | | Ah | 50 |
| 6.4 | Battery voltage | | V | 80 |
| 6.4.1 | Battery type | | | Li-Ion |
| 6.5 | Battery weight | | kg | 61 |
| 8.1 | Type of drive unit | | | BLDC |
| 10.5 | Steering design | | | Hydraulic |
| 10.7 | Sound pressure level at the driver's seat | | dB(A) | 68 |
| 15.1 | Charger output current | | A | 35 |



Mast Options

| MAST TYPE | LIFT HEIGHT (H3, MM) | MAST LOWERED HEIGHT (H1, MM) | MAST EXTENDED HEIGHT, NO BACKREST (H4, MM) | MAST EXTENDED HEIGHT, WITH BACKREST (H4, MM) | FREE LIFT HEIGHT, NO BACKREST (H2, MM) | FREE LIFT HEIGHT, WITH BACKREST (H2, MM) | FORWARD TILT (A, DEG) | BACKWARD TILT (B, MM) | LOAD DISTANCE (X, KG) |
|-----------------|----------------------|------------------------------|--|--|--|--|-----------------------|-----------------------|-----------------------|
| 2-Standard Mast | 2500 | 1798 | 3045 | 3555 | 105 | 105 | 6 | 6 | 357 |
| 2-Standard Mast | 2700 | 1898 | 3245 | 3755 | 105 | 105 | 6 | 6 | 357 |
| 2-Standard Mast | 3000 | 2048 | 3545 | 4055 | 105 | 105 | 6 | 6 | 357 |
| 2-Standard Mast | 3300 | 2198 | 3845 | 4355 | 105 | 105 | 6 | 6 | 357 |
| 2-Standard Mast | 3600 | 2348 | 4145 | 4655 | 105 | 105 | 6 | 6 | 357 |
| 2-Free Mast | 2500 | 1773 | 3045 | 3555 | 1280 | 745 | 6 | 6 | 357 |
| 2-Free Mast | 2700 | 1873 | 3245 | 3755 | 1380 | 845 | 6 | 6 | 357 |
| 2-Free Mast | 3000 | 2023 | 3545 | 4055 | 1530 | 995 | 6 | 6 | 357 |
| 2-Free Mast | 3300 | 2173 | 3845 | 4355 | 1680 | 1145 | 6 | 6 | 357 |
| 2-Free Mast | 3600 | 2323 | 4145 | 4655 | 1830 | 1295 | 6 | 6 | 357 |
| 3-Free Mast | 4000 | 1883 | 4546 | 5055 | 1390 | 855 | 6 | 6 | 362 |
| 3-Free Mast | 4300 | 1983 | 4826 | 5335 | 1490 | 955 | 6 | 6 | 362 |
| 3-Free Mast | 4500 | 2048 | 5046 | 5555 | 1555 | 1020 | 6 | 6 | 362 |

Options

| ITEM | OPTIONS (optional items marked in yellow) |
|---------------------------------|--|
| Fork dimension | 600*600 2A 100*35*920 600*600 2A 100*35*750 600*600 2A 100*35*1070 900*600 2A 100*40*1150 900*600 2A 100*40*1220 |
| Front wheel material | Normal solid Non-marking solid |
| Rear wheel material | Normal solid Non-marking solid |
| Battery capacity | 80V50Ah 80V100Ah |
| Charger | 80V-35A Single-phase built-in charger |
| Battery display indicator (BDI) | With hourmeter |

| ITEM | OPTIONS (optional items marked in yellow) |
|--|--|
| Seat type | Regular+ safety belt switch Comfortable + safety belt switch Suspension + safety belt switch |
| Attachments | No Built-in sidsifter External shifter |
| Traction pin | Yes and not customised |
| Front lamp | LED |
| Rear lamp | No LED |
| Warning lamp | Yes and not customised |
| Blue lamp | No Rear Front Front and rear |
| Area warning lamp | No Both side Both side and rear |
| Rearview mirror | One in front Two on sides and one in front |
| Buzzer | Yes and not customised |
| OPS system | Yes and not customised |
| USB interface | No |
| Telematics | Yes and not customised |
| Cabin | No |
| Overhead guard | Yes and not customised |
| Clamp interlock | No |
| Anti-static chain | Yes and not customised |
| Turn signal light | LED |
| Special AUS/NZ options | No Only for Australia standard |
| Turn speed control | Yes and not customised |
| Heating system during lithium battery charging | No Yes and not customised |
| Operator identification device | Card reader |
| Lifting electronic limit | No |
| Hydraulic control | Mechanical lever |
| Rear armrest horn | No |