



TDL161

3-WHEEL DUAL-DRIVE COUNTERBALANCE FORKLIFT 1600KG

1600 kg 6000 mm 48 V Li-Ion



This 3 wheel forklift is ideal for a wide range of settings, including large warehouses, docks, side bay lorries, and logistics centers, delivering strong performance both indoors and outdoors.

Boosts productivity with its Li-ion heart and dual drive units, meeting the demands of intensive applications.

| SPECIFICATION | REF | UNIT | VALUE |
|-----------------------------|--------------------------------|------|------------|
| Battery type | | | Li-Ion |
| Battery nominal capacity K5 | | Ah | 280 |
| Battery voltage | | V | 48 |
| Rated capacity | Q | kg | 1600 |
| Load centre distance | c | mm | 500 |
| Service weight | | kg | 3380 |
| Height, mast lowered | h ₁ | mm | 2075 |
| Lift | h ₃ | mm | 3000 |
| Height, mast extended | h ₄ | mm | 4058 |
| Overall length | | mm | 2945 |
| Overall width | b ₁ /b ₂ | mm | 1150 |
| Length to face of forks | l ₂ | mm | 2025 |
| Fork dimensions | s/e/l | mm | 40X100X920 |
| Turning radius | | Wa | 1605 |
| Manufacturer | | | EP |
| Model designation | | | TDL161 |

Features

Hydraulic steering system with better human-vehicle interaction

The TDL series adopts the hydraulic steering system and this achieves more precise and responsive operation, which demonstrates better human-vehicle interaction. Plus, the hydraulic steering system comes with a simple and reliable structure with lower maintenance costs.

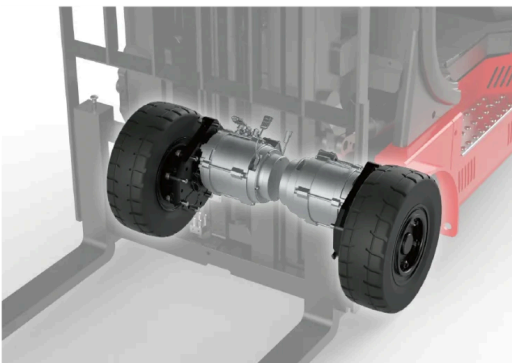


Electromagnetic joystick available for premium needs

For premium material handling, the electromagnetic joystick is available as an option which puts operation experience and productivity at the forefront. The joystick houses all controls of the truck and the operator are allowed to perform all functions in a palm-sized place with utmost precision.

Larger legroom to amplify driving comfort

The integrated design of the operator compartment is intended to create a larger operational space to improve ergonomics to reduce operator work-related health issues, as well as to improve operational efficiency.



Powerful and constant working performance

The lithium battery with opportunity charging and 5.4kW*2 dual drive motors guarantee the TDL series operate at full power at all times with a permanently high performance. It comes with a 48V/50A integrated charger as standard for charging convenience and 48V/150A and 48V/200A external chargers available as options to better fit in your needs.

Optimized truck frame for cabin installation and detachment

The TDL series features the streamlined design as the L2 series and an optimized one-piece truck frame, which is easy for cabin installation as well as detachment.



New informative LED display

The TDL series provides the high-resolution LED display which is installed at the upper right corner of the cabin. Via a glance, the operator is able to find speed, working hours, battery status, miles driven and parking status. This informative and intuitive display ensures relaxed and safe working.

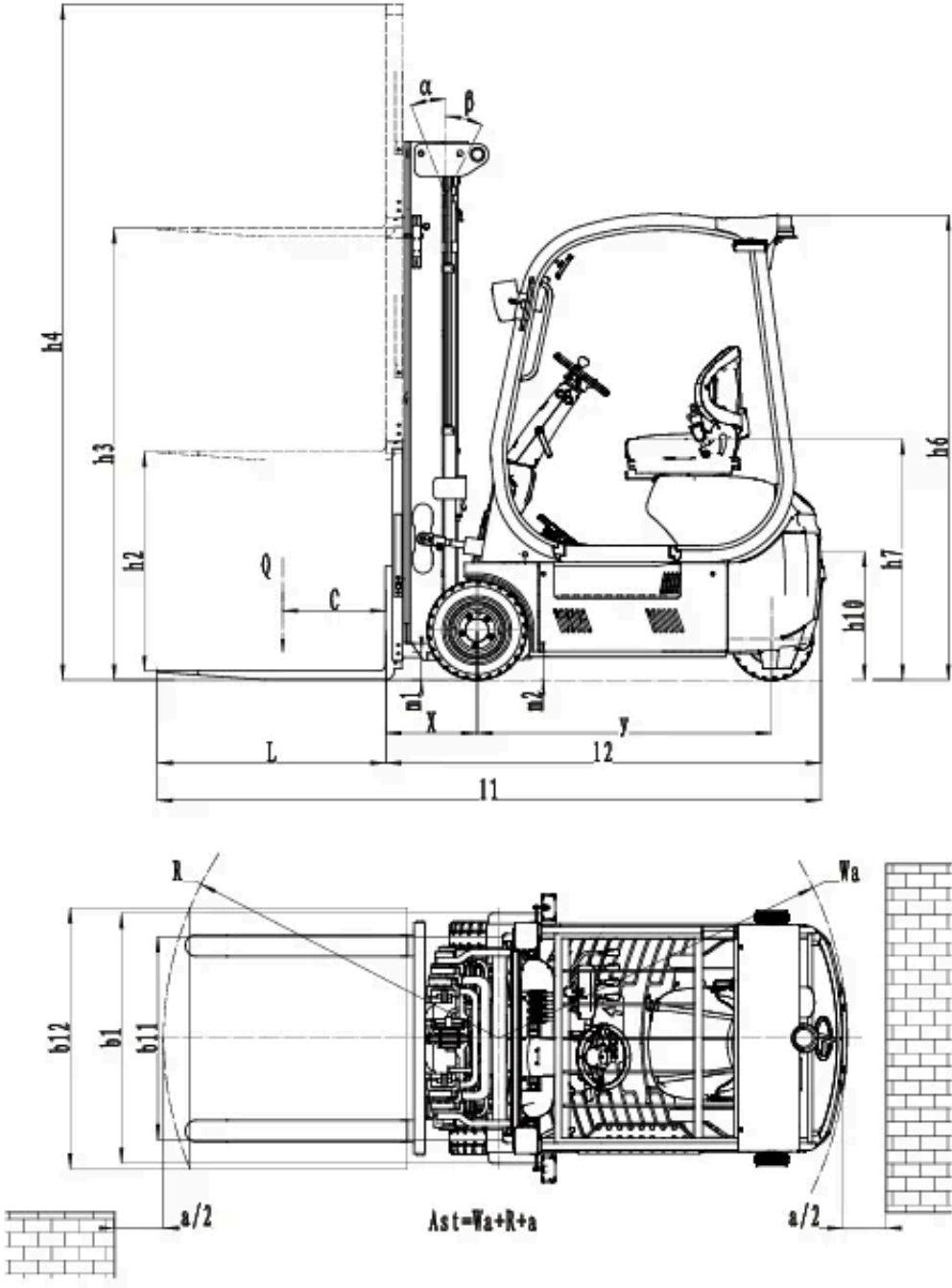
VDI Chart

| | SPECIFICATION | REF | UNIT | VALUE |
|-----|---|-----------------|------|--------------|
| 1.1 | Manufacturer | | | EP |
| 1.2 | Model designation | | | TDL161 |
| 1.3 | Drive | | | Electric |
| 1.4 | Operator type | | | Seated |
| 1.5 | Rated capacity | Q | kg | 1600 |
| 1.6 | Load centre distance | c | mm | 500 |
| 1.8 | Load distance, centre of drive axle to fork | | mm | 420 |
| 1.9 | Wheelbase | | mm | 1358 |
| 2.1 | Service weight | | kg | 3380 |
| 2.2 | Axle loading, laden front/rear | | kg | 4153/827 |
| 2.3 | Axle loading, unladen front/rear | | kg | 1468/1912 |
| 3.1 | Tyres | | | Solid rubber |
| 3.2 | Tyre size, front | | mm | 18x7-8 |
| 3.3 | Tyre size, rear | | mm | 140/55-9 |
| 3.5 | Wheels, number front/rear (x=drive wheels) | | | 2X/2 |
| 3.6 | Tread width, front | b ₁₀ | mm | 910 |

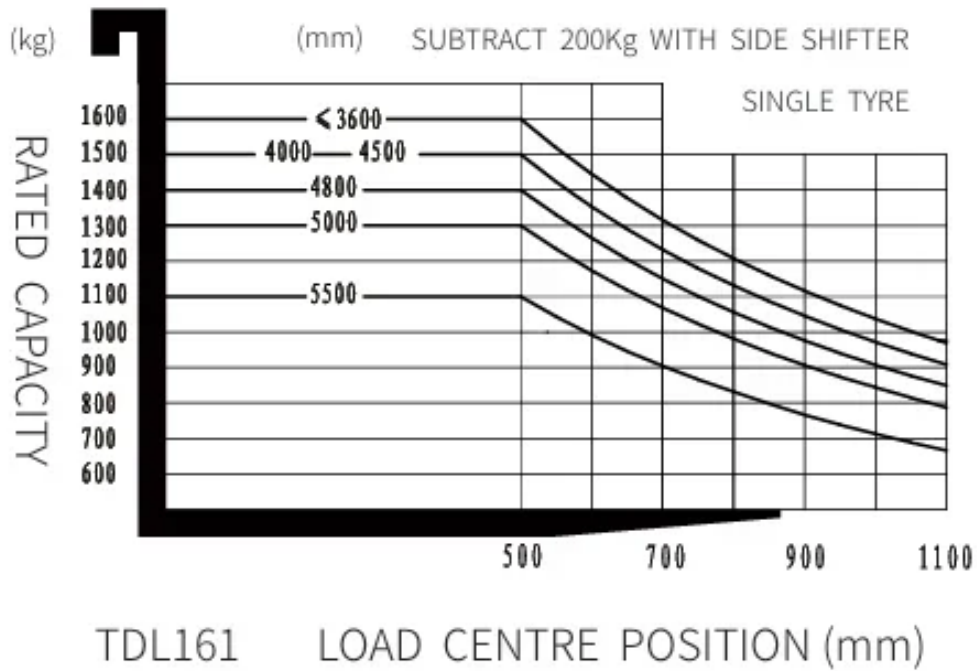
| SPECIFICATION | | REF | UNIT | VALUE |
|---------------|--|--------------------------------|------|-----------------|
| 3.7 | Tread width, rear | b ₁₁ | mm | 210 |
| 4.0 | Max lift height | H | mm | 6000 |
| 4.1 | Tilt of mast/fork carriage forward/backward | | ° | 5/6 |
| 4.2 | Height, mast lowered | h ₁ | mm | 2075 |
| 4.3 | Free lift | | mm | 100 |
| 4.4 | Lift | h ₃ | mm | 3000 |
| 4.5 | Height, mast extended | h ₄ | mm | 4058 |
| 4.7 | Height of overhead guard (cabin) | | mm | 2140 |
| 4.8 | Seat height relating to SIP/stand height | | mm | 1070 |
| 4.12 | Coupling height | | mm | 560 |
| 4.19 | Overall length | | mm | 2945 |
| 4.20 | Length to face of forks | l ₂ | mm | 2025 |
| 4.21 | Overall width | b ₁ /b ₂ | mm | 1150 |
| 4.22 | Fork dimensions | s/e/l | mm | 40X100X920 |
| 4.23 | Fork carriage ISO 2328, class/type A, B | | | 2A |
| 4.24 | Fork carriage width | | mm | 1040 |
| 4.31 | Ground clearance, laden, below mast | | mm | 86 |
| 4.32 | Ground clearance, centre of wheelbase | | mm | 104 |
| 4.34.1 | Aisle width for pallets 1000×1200 crossways | | Ast | 3348 |
| 4.34.2 | Aisle width for pallets 800 × 1200 crossways | | Ast | 3485 |
| 4.35 | Turning radius | | Wa | 1605 |
| 5.1 | Travel speed, laden/unladen | | km/h | 15/16 |
| 5.2 | Lift speed, laden/unladen | | m/s | 0.35/0.43 |
| 5.3 | Lowering speed, laden/unladen | | m/s | 0.45/0.37 |
| 5.8 | Max. gradeability, laden/unladen | | % | 15/17 |
| 5.10 | Service brake | | | Electromagnetic |
| 5.11 | Parking brake | | | Electromagnetic |
| 6.1 | Drive motor rating S2 60 min | | kW | 5.4X2 |
| 6.2 | Lift motor rating at S3 15% | | kW | 11 |
| 6.4 | Battery nominal capacity K5 | | Ah | 280 |
| 6.4 | Battery voltage | | V | 48 |
| 6.4.1 | Battery type | | | Li-Ion |
| 6.5 | Battery weight | | kg | 207 |
| 8.1 | Type of drive unit | | | AC |
| 10.5 | Steering design | | | Hydraulic |

| | SPECIFICATION | REF | UNIT | VALUE |
|------|---|-----|-------|-------|
| 10.7 | Sound pressure level at the driver's seat | | dB(A) | 79 |
| 15.1 | Charger output current | | A | 50 |

VDI Drawing



RATED CAPACITIES AND LOAD CENTERES GRAPH



Mast Options

| MAST TYPE | LIFT HEIGHT (H3, MM) | MAST LOWERED HEIGHT (H1, MM) | MAST EXTENDED HEIGHT, NO BACKREST (H4, MM) | MAST EXTENDED HEIGHT, WITH BACKREST (H4, MM) | FREE LIFT HEIGHT, NO BACKREST (H2, MM) | FREE LIFT HEIGHT, WITH BACKREST (H2, MM) |
|-----------------|----------------------|------------------------------|--|--|--|--|
| 2-Standard Mast | 3000 | 2075 | 3740 | 4055 | 100 | 100 |
| 2-Standard Mast | 3600 | 2375 | 4340 | 4655 | 100 | 100 |
| 2-Standard Mast | 4000 | 2455 | 4740 | 5055 | 100 | 100 |
| 2-Free Mast | 3000 | 2075 | 3740 | 4055 | 1365 | 1050 |
| 2-Free Mast | 3300 | 2225 | 4040 | 4355 | 1515 | 1200 |
| 2-Free Mast | 3600 | 2375 | 4340 | 4655 | 1665 | 1350 |
| 2-Free Mast | 4000 | 2625 | 4840 | 5155 | 1915 | 1600 |
| 3-Free Mast | 4000 | 1940 | 4740 | 5055 | 1230 | 915 |
| 3-Free Mast | 4350 | 2090 | 5090 | 5405 | 1380 | 1065 |
| 3-Free Mast | 4500 | 2140 | 5240 | 5555 | 1430 | 1115 |
| 3-Free Mast | 4800 | 2240 | 5540 | 5855 | 1530 | 1215 |
| 3-Free Mast | 5000 | 2305 | 5740 | 6055 | 1595 | 1280 |

| MAST TYPE | LIFT HEIGHT (H3, MM) | MAST LOWERED HEIGHT (H1, MM) | MAST EXTENDED HEIGHT, NO BACKREST (H4, MM) | MAST EXTENDED HEIGHT, WITH BACKREST (H4, MM) | FREE LIFT HEIGHT, NO BACKREST (H2, MM) | FREE LIFT HEIGHT, WITH BACKREST (H2, MM) |
|-------------|----------------------|------------------------------|--|--|--|--|
| 3-Free Mast | 5500 | 2475 | 6240 | 6555 | 1765 | 1450 |
| 3-Free Mast | 6000 | 2690 | 6740 | 7055 | 1980 | 1665 |

Options

| ITEM | OPTIONS (optional items marked in yellow) |
|---------------------------------|--|
| Fork dimension | 100*40*920 100*40*1070 100*40*1100 100*40*1150 100*40*1220 100*40*1370 100*40*1520 100*40*1800 |
| Fork carriage width option | 1040mm Yes and can be customized |
| Fork carriage height option | 1067mm 1220mm 1520mm Yes and can be customized |
| Load wheel material | Solid Non-marking solid |
| Front wheel material | Solid Non-marking solid |
| Rear wheel material | Solid Non-marking solid |
| Battery capacity | 280Ah 360Ah 405Ah |
| Charger | 48V-50A internal 48V-150A external |
| Battery display indicator (BDI) | With hourmeter |
| Seat type | Regular Premium Suspension KL01 with armrest |
| Attachments | No Built-in sideshifter External shifter Fork positioner |
| Traction pin | Yes and not customized |
| Electrostatic chain | Yes and not customized |
| Front lamp | LED |
| Rear lamp | No LED |
| Warning lamp | Yes and not customized |
| Steering lamp | LED |
| Blue lamp | No 2 front 1 rear 2 front + 1 rear |
| Area warning lamp | No Red, one on each side Red, rear Red, one on each side + one on the back |
| Rearview mirror | 1 rearview mirror 2 rearview mirrors |
| Buzzer | Yes and not customized |
| Fire extinguisher | No Yes and not customized |
| OPS system | Yes and not customized |

| ITEM | OPTIONS (optional items marked in yellow) |
|-------------------------------|---|
| USB interface | No Yes and not customized |
| Electronic scale with printer | Yes and not customized No |
| Telematics | No Yes and not customized |
| Cabin | None Basic half cabin Upgrade half cabin Full cabin |
| Proportional lift system | No Yes and not customized |
| Heater | No Yes and not customized |